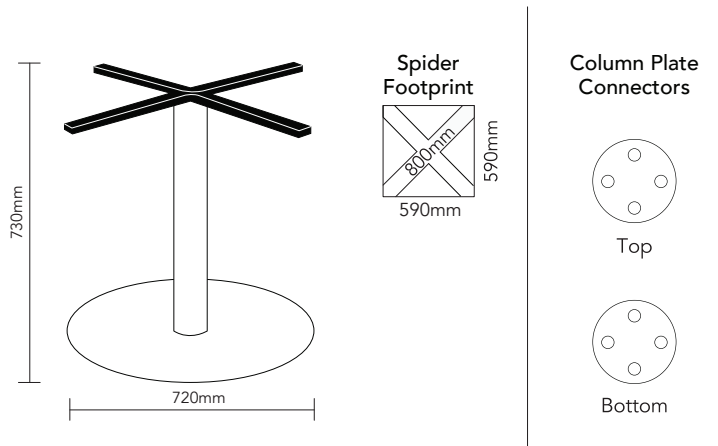


Prague D720

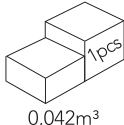
DIMENSIONS



Unit KG



Carton



Top Max:



Ø mm. 1200



mm. 1200x1200



FINISHES



Brushed Satin

DETAILS

BASE

#201 Stainless Steel

COLUMN

#201 Stainless Steel

ORIGIN

China

USE

Indoor

DESCRIPTION

The Prague D720 table is a spun stainless steel base in brushed satin finish. This base features a straight edge profile, 800 x 800 x 20mm spider with templated pre-drilled holes that are identical with all spiders. The D102mm column has reinforced top & bottom internal connector plates. This base is recommended for indoor use & can be powdercoated in a variety of colours.