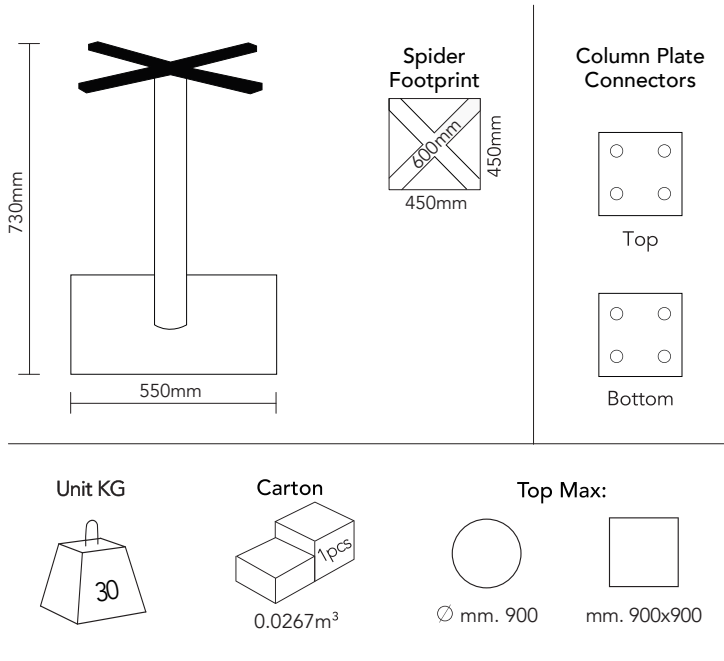


# Prague SQ550

## DIMENSIONS



## FINISHES



Brushed Satin



## DETAILS

**BASE**  
#201 Stainless Steel

**COLUMN**  
#201 Stainless Steel

**ORIGIN**  
China

**USE**  
Indoor

## DESCRIPTION

The Prague SQ550 table is a spun stainless steel base in a brushed satin finish. The base features a square corner base, 600 x 600 x 20mm spider with templated pre-drilled holes that are identical with all spiders. The 80x80mm column has reinforced top & bottom internal connector plates. This base is recommended for indoor use & can be powdercoated in a variety of colours.