

# CLIP TABLE

## BASE

### DESCRIPTION

The Clip Table Base is a superior outdoor base made from Polypropylene reinforced with fibre-glass. Designed for the outdoors, the clip table base comes with foot adjustable glides and is ideal in all hospitality and accommodation applications. Resin tops are recommended.

### FRAME FINISH



ANTHRACITE

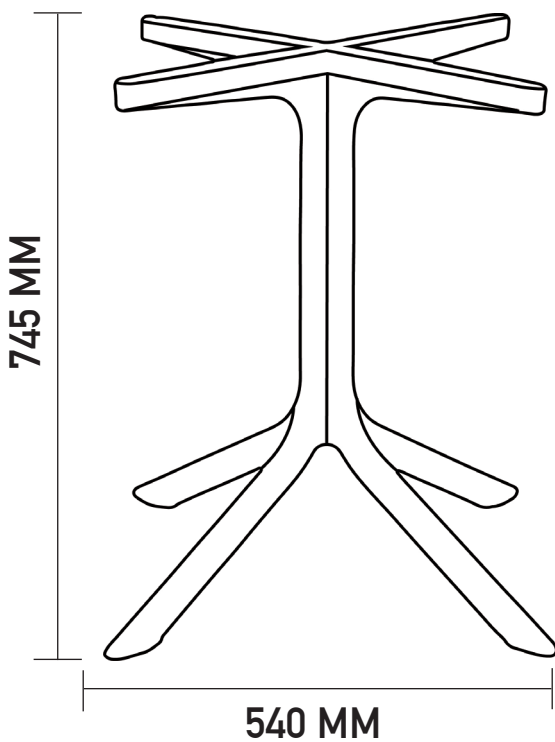
### ORIGIN

### USE

Outdoor/Indoor

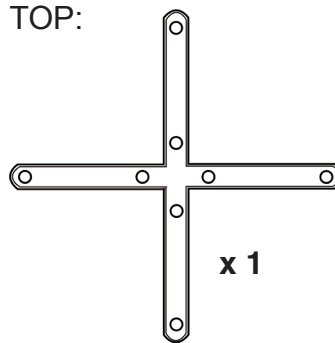


### DIMENSIONS



### PIECES:

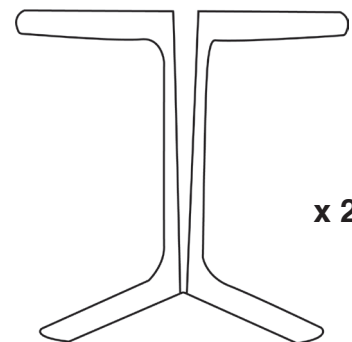
TOP:



x 1

mm.540x540

BODY:

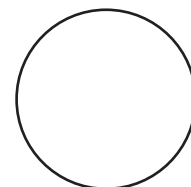


x 2

### SUGGESTED TOP:



mm.800x800



∅ mm.800

UNIT (KG)



CARTON



0.0107 M<sup>3</sup>

CATAS<sup>®</sup>  
TESTED

# NARDI

# CLIP ANTHRACITE

## TABLE BASE

### ASSEMBLY INSTRUCTIONS

