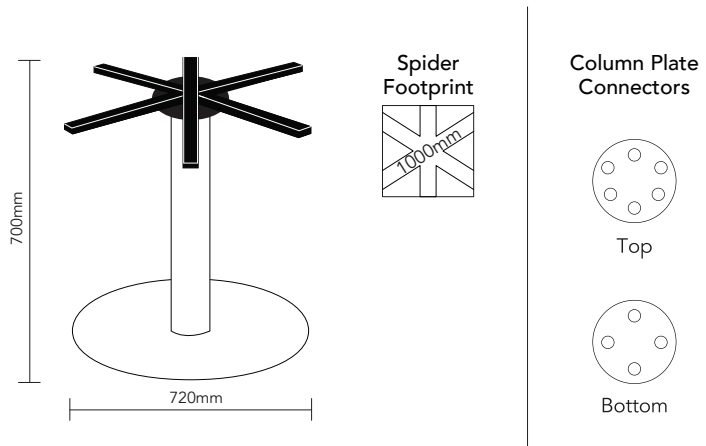


Danube D720XL

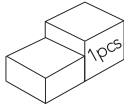
DIMENSIONS



Unit KG



Carton



Top Max:



Ø mm. 1800



mm. 1600x1600

FINISHES



Matt Black
Powdercoat



DETAILS

BASE

Mild Steel

COLUMN

Mild Steel

ORIGIN

China

USE

Indoor

DESCRIPTION

The Danube D720XL table is a mild steel base, in a powdercoat matt finish. This base features a straight edge profile, 6 star 1000 x 1000 x 40mm spider. The D159mm column has reinforced top & bottom internal connector plates. This base is recommended for indoor use.