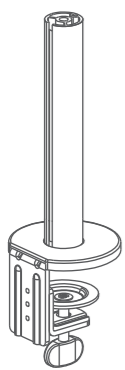
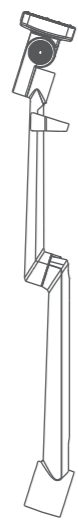


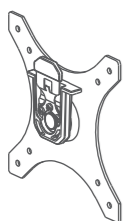
INSTALLATION HARDWARE



X 1



X 1



X 1



X 1



X 6 (M4)



X 6 (M5)



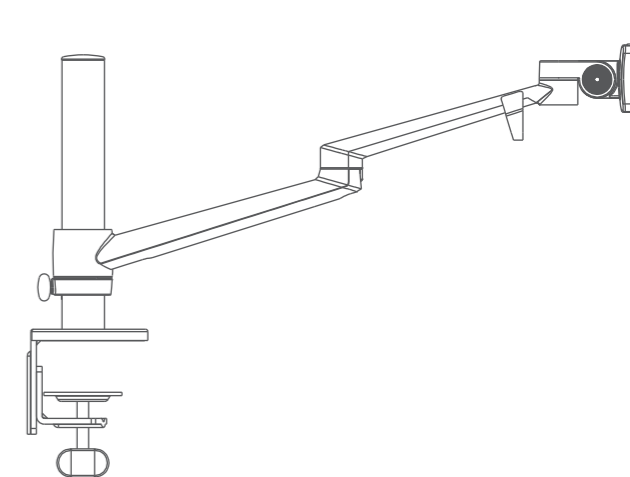
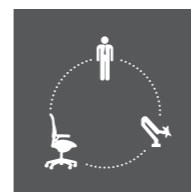
X 1



X 1(4 / 5 / 6MM)

WARNING

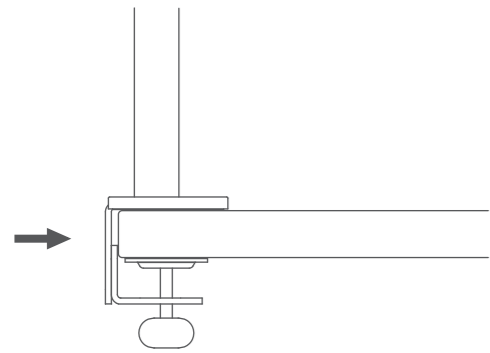
- * Make sure to read the manual before installation and fully understand how to install, if you have any questions, please visit our website or contact the relevant after-service.
- * Kindly please make sure the desktop could bear the weight of mount and monitor before installation.
- * Please use the supporting tools when installing. It is better for installation by 2 people. Please be careful.
- * This product contains small parts, keep these away from children.



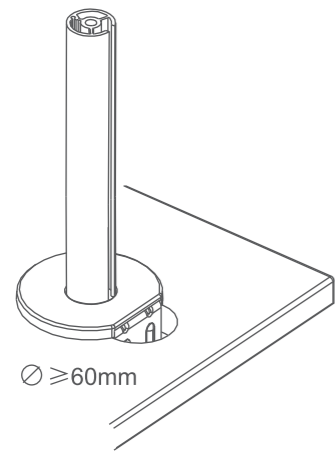
Installation Instructions

STEP 1

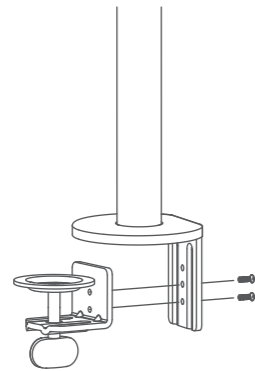
For installation on open edge of work surface



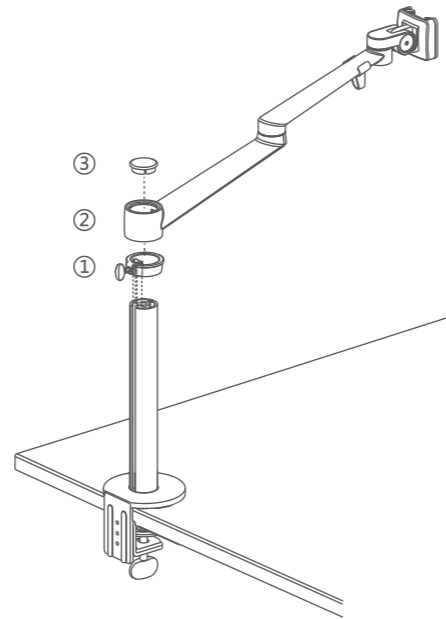
For installation through a grommet hole



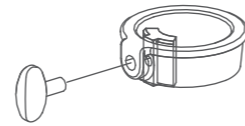
Before inserting the Base Stem, please detach the Bottom Clamp from the Top Bracket by loosening Bracket Screws with Hex Key .



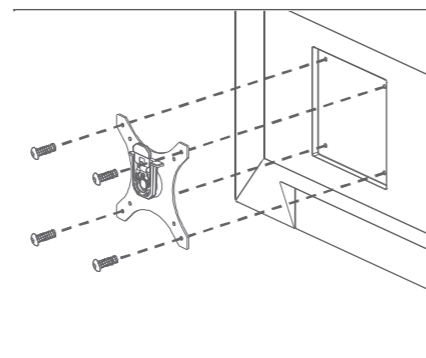
STEP 2



Note: Kindly please fix the inside nut of post in position before tighten Screw on the clip.

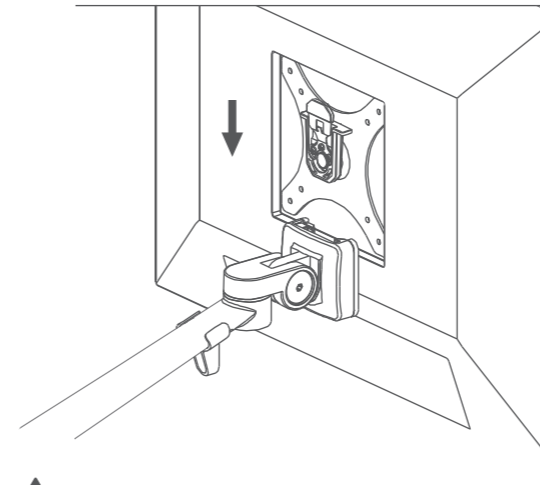


STEP 3



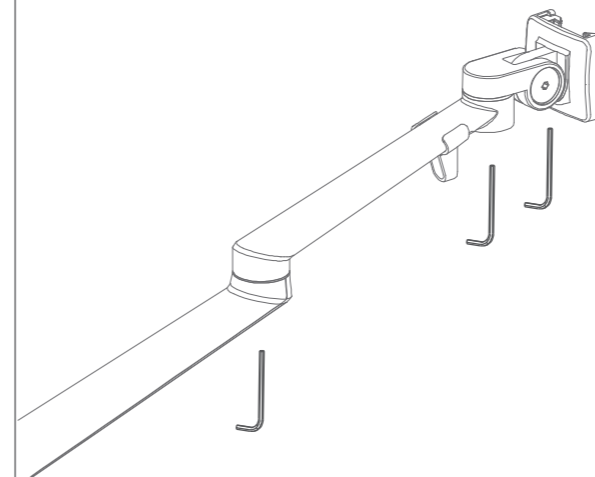
VESA
75x75mm
100x100mm

STEP 4



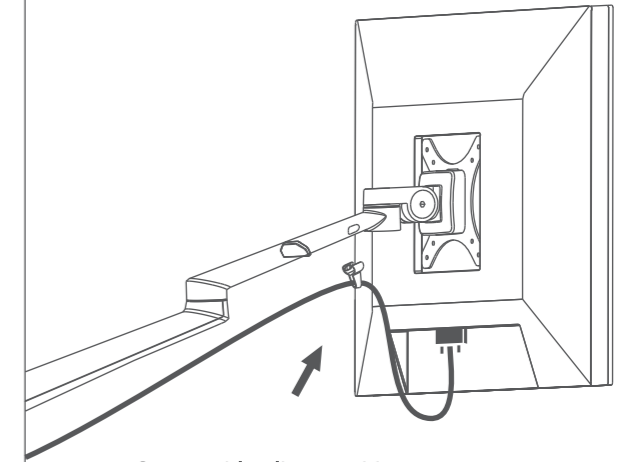
Note: Press the handle when take out the plate.

Friction adjustment 摩擦力调节



If you feel the pitching angle too tight or too loose when adjusting the mount, please adjust the Screw

Cable management 显示器线缆管理



Open cable clip two sides.

